



Electrolux
PROFESSIONAL

Modular Preparation 1200 mm Wall Cupboard with Sliding Doors

ITEM # _____

MODEL # _____

NAME # _____

SIS # _____

AIA # _____



121883 (TAPC12)

Wall Cupboard with sliding doors, 1200mm

Short Form Specification

Item No. _____

Constructed entirely in 304 AISI stainless steel. Front and rear longitudinal stainless steel c-channel reinforcement. Easily removable sliding doors with sound deadening internal and external panels have stainless steel bearings on the top and a hidden runner on the bottom. 45° degree internal side corner junction system. Middle shelf, with inner double fold to eliminate gaps between sides and back, height-adjustable in 3 positions with a stainless steel support to avoid twisting.

Main Features

- Extremely easy to clean thanks to the smooth edges.

Construction

- Front and rear lengthwise stainless steel c-channel reinforcement, 15/10 (16 gauges).
- Internal sides supporting the structure to have 45° degrees internal side corners junction system.
- 30 mm high middle-shelf in AISI 304 stainless steel, height-adjustable in 3 positions, with inner double fold to eliminate gaps between sides and back.
- 660 mm body height is surrounded by a stainless steel structure.
- Sliding doors, with sound deadening internal and external panels, run on the upper part on the s/s bearings and on the lower part on a hidden runner. Doors are easy to remove thus facilitating cleaning procedures.
- Constructed entirely in AISI 304 Stainless Steel with Scotch Brite finish.

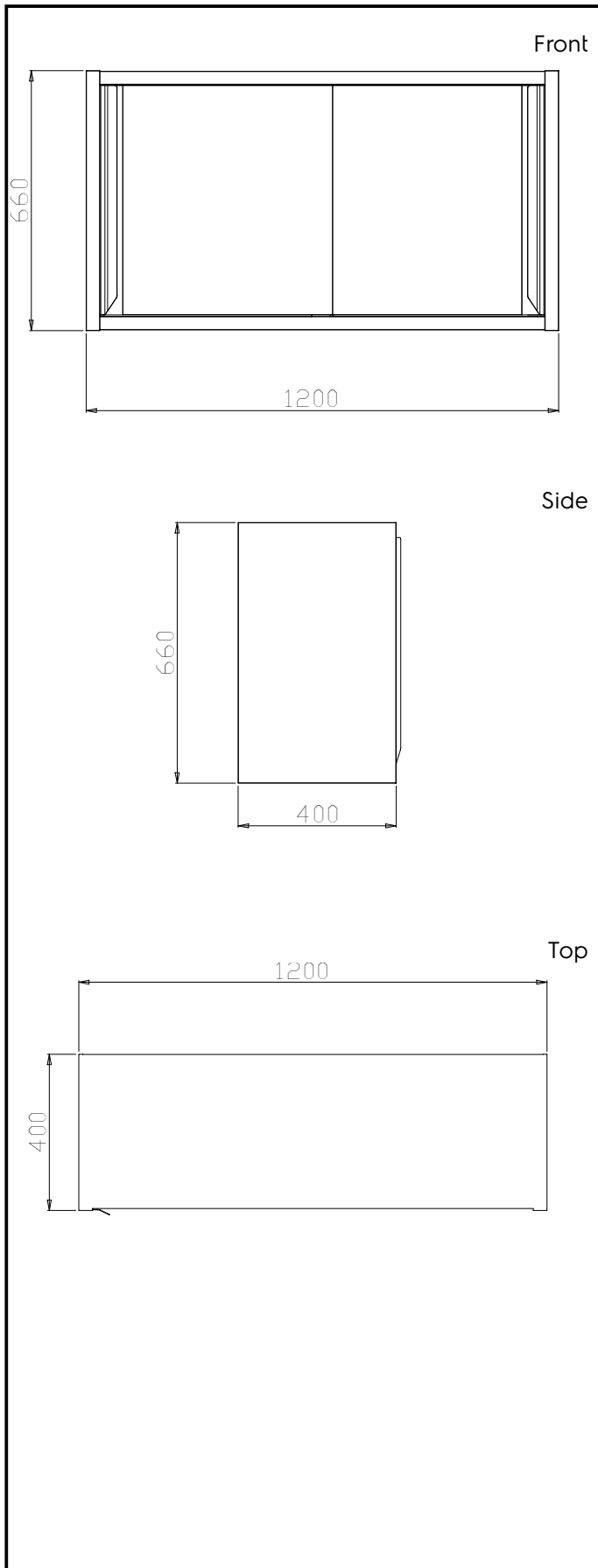
Optional Accessories

- Kit of 1 halogen lamp for wall cupboards, 600mm PNC 855803
- Kit of 1 halogen lamp for wall cupboards, 900mm PNC 855804

APPROVAL: _____



Experience the Excellence
www.electroluxprofessional.com



Key Information:

Cabinet width:	
121883 (TAPC12)	1130 mm
Cabinet depth:	295 mm
Cabinet height:	590 mm
N° of doors:	2
Door Type:	Sliding
Cabinet material:	304 AISI
Handle type:	304 AISI
External dimensions, Width:	1200 mm
External dimensions, Depth:	400 mm
External dimensions, Height:	660 mm
Net weight:	56 kg